

i.k industrielle kennzeichnungstechnik

# KGK JET CCSS3000

New Printers of Specifications Applicable to Global Requirements.  
Continuous Inkjet Printers. Solvent consumption reduced by 35%  
compared with our existing models.



<http://www.kishugiken.co.jp/>



## Deliver both beauty of functionalities and reliability

Advanced functionalities and various ink-printer combinations

Choice of :

- conventional dye inks
- pigment inks
- edible inks
- a designated special ink for printing on eggs



# KGK JET CCS3000

Next Generation Inkjet Printers for Small Character Printing

Removable 10.4 Inch Large Screen Display Panel  
Global Marketing Strategies Realized These Models with Dust Proof (IP65 complied), CE Certified and RoHS Complied Specifications.



Using Printed Circuit Board of 1.5mm thickness [CN505 Black Ink]



Mango [CP602 Black Ink] (Binchotan Charcoal Based Ink)



egg shell [CN105A Green Ink]



PVC Cable [CP105 White Ink]



PET Bottle [CN1 Black Ink]

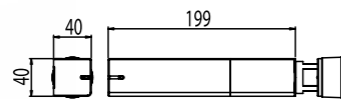


- Removable 10.4 Inch Color Touch Panel

- Compactly designed printhead is operative closely to the substrate.



The standard model comes with a 3.5 meter long cable. Low cost model with a 1.3 meter long cable. (Removable structure for easy maintenance)



A compactly designed printhead enables printing on various shape of substrates. Also installable at a small space. Our "Nozzle Capping System" and "Timer System" prevent the nozzle from blocking when used after a long lapse of stop-time.



- User Interface to prompt intuitive operation

The picture shows message editing.

Easily recognizable icons are widely used here to enable intuitive operation.



The picture shows print condition editing.

Visually Recognizable with Ease as many charts and graphics are used.



The picture shows printhead maintaining

Inside head structure and maintenance procedures are shown on the screen.



The picture shows maintaining the main body.

Inside structure of the printer main body and maintenance procedures are shown on the screen.



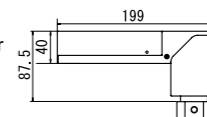
## Unique Space Saving Design with User Friendliness

- QR code and data matrix supported. 2D bar code as well as 1D bar code supported.
- Measured length of the substrate can be printed with the use of an encoder or an embedded clock. Printing takes place at a fixed pitch to indicate the measured length in mm of the substrate such as a cable.
- Number of characters or messages to store can be increased. Up to 4,096 characters can be stored per message. Up to 999 messages can be set.
- External UBS memory supported. So, you can use USB memory devices available from the market.



- CE certified and RoHS complied. CE certified models IP65 complied.
- IP65 or IP54 complied depending on the model. Standard model is IP65 complied. Low cost model is IP54 complied.
- Numbering up to 10 digits can be supported. Additional features include zero-suppression and positional numerical systems.

- Extended languages for both software and hardware are supported including: English, Simplified Chinese, Complex Chinese, Korean, Italian, French, German, Spanish, Iranian and Turkish.,
- L-type Printhead. Provides more options for installation space choices.
- Reduces operational cost. Cost cutting by 35% compared with existing models in terms of solvent consumption.
- Supports various power supply options such as AC100V or AC240V
- Improved communications speed, Ethernet supported.
- Japanese Kanji characters of JIS I and II class stored
- Operational temperature: between 0 and 40°C\*

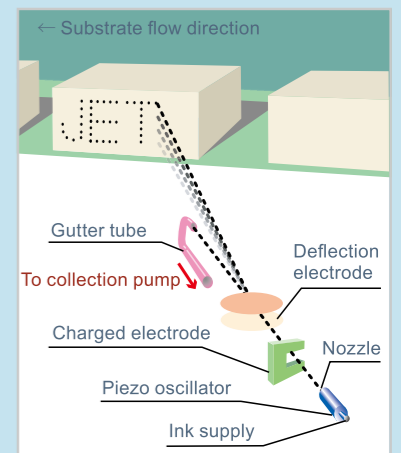


- Nozzle Capping System (See right below)
- Embedded head heater for operation in a cold place
- Print size: 0.8mm supported
- Airpurge system for inside the printhead
- One Touch Joint is used for replacing the ink pump instantly.

\* When the environmental temperature is at 20 degrees C.

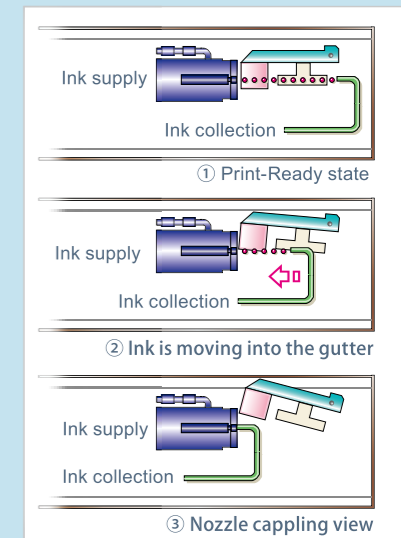
### Continuous Inkjet Printers

Ink droplets will be collected into the gutter tube while the printer is in a Print-Ready state. Printing takes place on the substrate as the charged ink droplets will be controlled by the deflection electrode reacting to the print signals.



### Nozzle Capping Mechanism

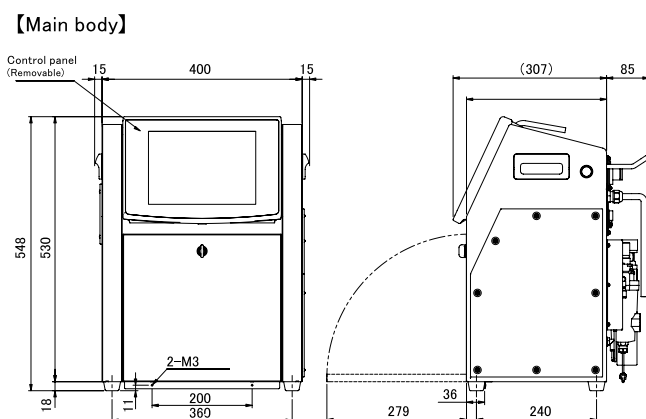
Startup and Stop Maintenance will become unnecessary. Solvent consumption will be considerably reduced.



## ● Specifications

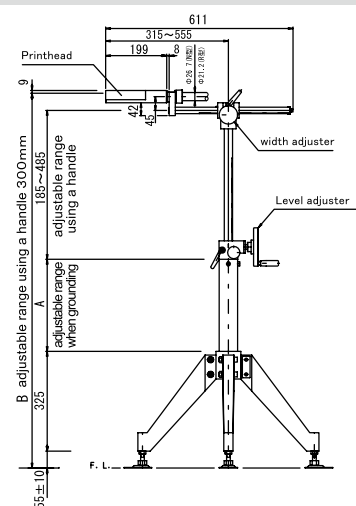
Model	Standard Model for Dye Inks	Low Cost Model for Dye Inks	Designated Model for Pigment Inks	Designated Model for Eggs
Model Name	CCS3000-D	CCS3000-DR	CCS3000-P	CCS3000-EG
Applicable ink	dye ink		Pigment ink + Binchotan ink	egg ink
Dust-proof	IP65	IP54	IP65	IP65
CE certified	Yes	No	Yes	Yes
RoHS complied	Yes			
Screen size	10.4 Inch color LCD touch panel			
Cable length	3.5m	1.3m	3.5m	3.5m
Nozzle choice	40µm / 50µm / 60µm		50µm / 60µm	60µm
Print height	0.8mm to 5mm for 40µm nozzle, 1 to 10mm for 50µm nozzle and 2mm to 10mm for 60µm nozzle			
Max printing speed (number of characters/sec and 5x5 dots with the space of 1 dot)	2666 (40µm nozzle), 2041 (50µm nozzle), 1780 (60µm nozzle)			
Print lines and dot configurations	[1 to 6 lines] 5×5 [1 to 4 lines] 7×5, 7×8 [1 to 3 lines] 9×7, 9×9, 10×8, 12×10 [1 to 2 lines] 16×12, 16×16 [1 line] 24×18, 24×24, 32×24, 32×32			
Number of messages to store	Max. 999			
Number of character for a message to store	Max. 4,096			
Printable character	alphanumericals (upper and lower cases), symbols, Japanese Hiragana, Katakana, Kanji, JIS Class I and II, Simplified Chinese, Complicate Chinese (GB2312) and user made characters			
Expiry date/time	western calendar, other calendar, year/month/date, day of the week, hours (12 or 24 hour system), consecutive dates all year round,consecutive ordinal number of weeks all year round, early/mid/late month (can change the duration), am/pm, characters can be substituted by other characters (Year, month, date, hour, minute, second or day of the week can be substituted by other characters between 4 and 15 digits) and shift code			
Numbering	Max. 10 digits, given initial value can be set, counting up/down, carry over to the upper digit (can set as one count by the number of substrates between 1 and 9,999. Zero-suppression: zero in the upper digit can be substituted by space or all characters following zero will be moved forward by eliminating the space for zero.). Characters for numbering can be substituted by other characters than numbers, Positional numeral system between binary and hex. decimal.			
Measured length of the substrate	printable up to 10 digits, can also be spitted by inserting a given character Between numbers.			
Bar code	ITF, NW7, JAN, Code39, Code128			
2D Bar code	DataMatrix, QR code			
Japanese Kana-Kanji conversion	Yes			
Connectivity	I/O, signal lamp, RS-323C, LAN, encoder, UPS, UBS memory			
Data input through	touch panel, RS-232C communications or Ethernet			
Communications	RS-232C 1CH Max.115,200bps Ethernet			
Head cable length	3.5m			
Dry air source for airpurging in the head	Use 6mm or 8mm outer diameter tube , Air flow: 10 liters/min or lower, provided with air ventilator			
Net dimensions Main body	Main body: 400mm width x 347mm depth x 548mm height excluding sticking out parts Printhead: 40mm width x 199mm depth x 40mm height			
Environmental conditions	0 to 40 °C and 10 to 85% RH but no dew condensation			
Power source	AC100 ~240V 80W			
Net weight	25Kg			
Grounding	Type D			

## ● Dimensional drawing



**[Stand-alone stand]**

Item	stand pipe length	length A	length B
1	390L	25~300	636~1231
2	590L	225~500	836~1431
3	790L	425~700	1036~1631
4	990L	625~900	1236~1831



Specifications subject to change without notice

**i.k industrielle kennzeichnungstechnik**  
**Ingo Kaiser**

<http://www.i-punkt-k.de>

Fuldastraße 10  
32469 Petershagen

Tel. 0571-3920976  
Fax 03222-4178461  
info@i-punkt-k.de